

VideoXpert Enhanced Decoder™

Product Features

- Compatible with VX-WKS, E1-OPS-WKS, E1-OPS-WKS6, VX-RKWKS, and VX-RKWKS8 VideoXpert™ Workstations
- Provides scalability and modular expansion
- Supports monitor walls
- Enables support for up to eight monitors per workstation, each driven by independent CPUs, displaying up to 25 streams per monitor



Caution: You must be running VxOpsCenter™ version 3.7 or later to use this enhanced decoder. For help upgrading VxOpsCenter, contact Pelco Customer Support.

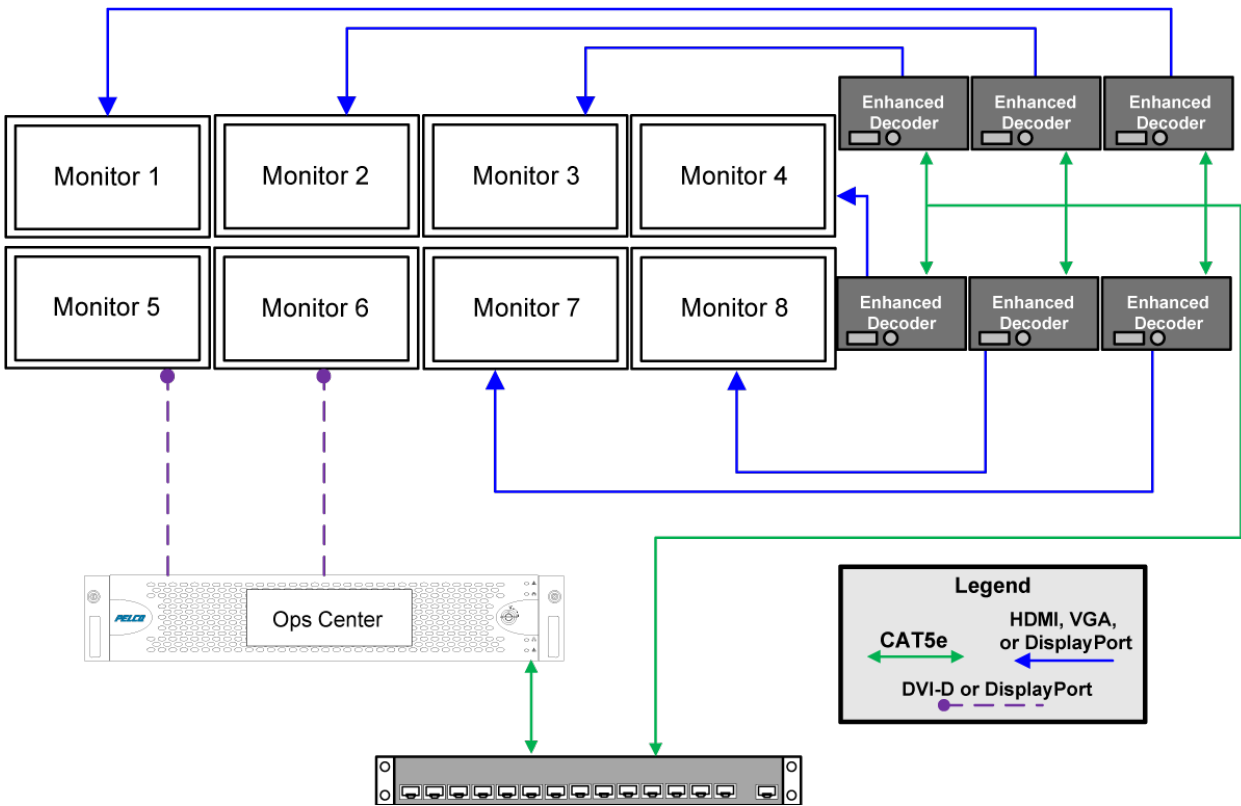
VideoXpert is a video management solution designed to fit surveillance operations of any size. Whether your operation has 100 cameras or 10,000, VideoXpert presents a solution to display, record, and manage your video resources. But VideoXpert Enterprise is more than a VMS. It is an enterprise-level video and data management solution designed to combine input from multiple systems, for a cohesive, real-time understanding of events taking place in your environment.

VxOpsCenter, Workstations, and Enhanced Decoders

The VxOpsCenter™ is a Windows-based application, providing an optimal environment from which users can watch live and recorded video. With the support of VX Workstations™ and Enhanced Decoders, the VxOpsCenter supports up to eight monitors, each capable of displaying up to 25 video streams simultaneously. Through the VxOpsCenter, users can configure and recall complete workspaces, enabling operators to quickly log in and get to work.

Operator Workspace Topology

The VxOpsCenter, running on an 8-monitor rackmount Workstation, supports up to eight monitors: two connected directly to the Workstation, and the other six driven independently by Enhanced Decoders. The Enhanced Decoders enable each monitor connected through a workstation to display up to 25 video streams while maintaining a seamless user experience.



Enhanced Decoder-driven monitors operate just like native monitors; users can move windows across monitors seamlessly. But, when the user requests a video stream or plugin, the Enhanced Decoder communicates directly with VideoXpert servers to get and decode video. This enables operators to maximize the display-capabilities of the VxOpsCenter without complicating the user experience.

Because the Enhanced Decoders do not run the VxOpsCenter application themselves, you might experience better performance in quantity and responsiveness of HD streams on decoder-driven monitors, instead of directly-connected monitors.

If you require additional monitors on a monitor wall, Shared Display Decoders can be used in combination with Enhanced Decoders to create a complete monitor wall experience.

Technical Specifications

Hardware

Item	Specification
Processor	Intel® Core™ i7-9700T
Memory	8 GB DDR4
SSD Storage	128 GB

Item	Specification
USB Ports	
USB 3.1	1x front, 4x rear
USB 3.1 Type-C	1x front

Video

Item	Specification
Video system	Intel UHD Graphics
Memory	Shared
Video Outputs	2x DisplayPort, HDMI
Max Resolution	
DisplayPort	1920 x 1080 at 60 Hz
HDMI	1920 x 1080 at 60 Hz
Video Standards	
NTSC	60 Hz
PAL	50 Hz

Networking

Item	Specification
Interface	Gigabit Ethernet (1000Base-T) port (1x)
IP version	IPv4

Front Panel

Item	Specification
Button	Power
Indicators	
Unit Status	White, flashing white
Primary Network	Green, orange, off
Hard Disk Status	Flashing white

Power

Item	Specification
Power Input	100 to 240 VAC 50/60 Hz, autoranging
Power Supply	External, 90 W
Power Consumption	19.5 VDC, 4.62 A

Environmental

Item	Specification
Operating Temperature	5° to 35°C (41° to 95°F)
Non-Operating Temperature	−40° to 65°C (−40° to 149°F)
Operating Relative Humidity	20% to 80%, non-condensing
Non-Operating Relative Humidity	10% per hour
Operating Altitude	−15 to 3,048 m (−50 to 10,000 ft)
Operating Vibration	0.66 GRMS



Note: The temperature at the unit air intake can be significantly higher than room temperature. Temperature is affected by rack configuration, floor layout, air conditioning strategy, and other issues. To prevent performance failure and unit damage, make sure the temperature at the unit is continuously within the operating temperature range.

Physical

Item	Specification
Construction	Steel and plastic cabinet
Finish	Black
Dimensions (D x W x H)	3.6 x 17.8 x 18.2 cm (1.4 x 7.0 x 7.2 in)
Mounting (RU)	VESA mount included
Unit Weight	1.18 kg (2.60 lb)

Certifications

Item	Specification
CE	Class B
FCC, Part 15	Class B
ICES-003	Class B
UL/cUL Listed	Yes
C-Tick	Yes
CCC	Yes
KC	Yes

Model Number

- **VX-A4-DEC** Enhanced Decoder and mount with US, Europe, and United Kingdom power cords.



Pelco, Inc.
625 W. Alluvial, Fresno, California 93711 United States
(800) 289-9100 Tel
(800) 289-9150 Fax
+1 (559) 292-1981 International Tel
+1 (559) 348-1120 International Fax
www.pelco.com

⚠ WARNING: Cancer and Reproductive Harm - www.P65Warnings.ca.gov.
⚠ ADVERTENCIA: Cáncer y Daño Reproductivo - www.P65Warnings.ca.gov.
⚠ AVERTISSEMENT: Cancer et Troubles de l'appareil reproducteur - www.P65Warnings.ca.gov.

Pelco, the Pelco logo, and other trademarks associated with Pelco products referred to in this publication are trademarks of Pelco, Inc. or its affiliates. ONVIF and the ONVIF logo are trademarks of ONVIF Inc. All other product names and services are the property of their respective companies. Product specifications and availability are subject to change without notice.

© Copyright 2020, Pelco, Inc. All rights reserved.