

Evolution 05

360° Indoor Concealed Camera

The next step in 360° total situational awareness

5 MP sensor and no moving parts

- Constant 360° surveillance with no blind spots
- No moving parts, no maintenance and silent operation
- Up to 30 fps video stream at 1 MP and ¼ MP
- 0.2 lux minimum illumination and electronic WDR
- PoE or 12 VDC powered
- 3-years warranty

Advanced features

- Local SD card slot for event recording
- Configurable privacy regions
- Polygonal video motion detection regions
- Local alarm digital input and output
- Audio microphone input

A truly discreet installation

- Quick and easy installation
- Light weight enclosure that can be completely concealed behind ceiling or wall voids
- Camera mount can be spray-painted to match your environment
- Up to 25 mm (1 in.) ceiling / wall thickness



EVO-05NCD

Black and White
Bezel Included

Extensive VMS / NVR platform integration with Oncam SDK

- Market leading Oncam Grandeye 3D dewarping software
- Full live and retrospective dewarping available
- Camera features are accessible through VMS platforms
- Simultaneous multiple video streams
- 10x digital zoom capability through client-side dewarping
- H.264 / MJPEG streaming with multiple quality levels
- Optimizes bandwidth and storage utilization
- Intuitive web-based interface for viewing and configuration
- Supported by major VMS / NVR systems including VideoXpert (version 1.6 or later) and Digital Sentry (version 7.8.90 or later)
- ONVIF profile S conformant

TECHNICAL SPECIFICATION

| Model | EVO-05-NCD |
|----------------------------------|---|
| General | |
| Lens Field of View | 180° Horizontal, 168° Vertical |
| Image Sensor | 2592 H x 1944 V, 5 MP, 1/2.5-inch Sony CMOS Sensor |
| Lens | 185° / F2.0 |
| Minimum Illumination | 0.2 lux = 50 IRE F/2.0 (6500 K) |
| Frame Rate | 30 fps for 1 MP and ¼ MP resolution 15 fps for 2 MP resolution 10 fps for 4 MP full resolution |
| Video Motion Detection | 8 configurable regions |
| External Input | 1x contact input |
| External Output | 1x contact output |
| Security | Configurable password protection |
| Advanced Event Management | Triggered by motion, external input or HTTP event, result configurable, external output, FTP/SMTP upload and local recording |
| Networking | TCP/IP, HTTP, DHCP, DNS, NTP, FTP, SMTP and RTSP |
| Privacy Regions | 10 configurable privacy regions |
| SD Card | Built-in SD card slot. Supports cards up to 128 GB capacity. Speed class 10 or higher required |
| Audio Connections | Audio In through 3.5 mm jack, RTSP using G711 codec or ONVIF S |
| Analog Video Out | Test port for production, not available in normal operation |
| White Balance Range | Auto White Balance (Range = approximately 2500 K ~ 8000 K) |
| Video | |
| Video Stream 1 Codec | H.264 High, Level 5 / MJPEG (streams configurable) |
| Video Stream 1 Compression Level | Multi-levels of compression and frame rate adjustment |
| Video Stream 1 Pixel Resolution | Fisheyes at: 4 MP (2144 x 1944), 2 MP (1488 x 1360), 1 MP (1056 x 960), ¼ MP (528 x 480) |
| Video Stream 2 Codec | H.264 High, Level 5 / MJPEG (streams configurable) |
| Video Stream 2 Compression Level | Multi-levels of compression and frame rate adjustment |
| Video Stream 2 Pixel Resolution | Fisheyes at: 4 MP (2144 x 1944), 2 MP (1488 x 1360), 1 MP (1056 x 960), ¼ MP (528 x 480) |
| Video Stream 3 Codec | MJPEG |
| Video Stream 3 Compression Level | Multi-levels of compression and frame rate adjustment |
| Video Stream 3 Pixel Resolution | Fisheye at: ¼ MP (528 x 480) |
| Maximum Frame Rate | 30 fps |
| Image Control | Settings: brightness / contrast / saturation / exposure compensation, compression quality and wall / ceiling / table mount |
| Image Enhancement | Electronic WDR 60dB |
| PTZ Functionality | 10x zoom with Oncam 3D client-side dewarping software |
| VMS / NVR Support | Contact Oncam Sales for the supported VMS / NVR list |
| Web Browser Compatibility | Internet Explorer 9, Edge 25, Firefox 23 and Chrome 29 or above. Plug-in required for full functionality |
| Unicast | Up to 20 simultaneous users depending on the resolution settings |
| Multicast | Supported for H.264 main camera stream |
| Bit Rate Control | Options include Variable Bit Rate Controls, Constant Bit Rate Control and Constant Quality Control |
| Electrical | |
| Ports | RJ45 for 100Base-TX 2.1 mm DC Input jack 6-pin 1.5 mm Phoenix for external I/O BNC for test video output |
| Network Cable Type | CAT5 or better for 100Base-TX |
| Power Input | 12 VDC, 1.0 A (min) LPS or NEC Class 2 power supply or Power over Ethernet (PoE), IEEE standard 802.3af |
| Power Consumption (maximum) | 4.05 W (PoE 48 VDC) / 3.19 W (DC 12 VDC) |

TECHNICAL SPECIFICATION

Mechanical

| | |
|------------------|--|
| Camera Mount | Indoor Concealed Mount |
| Weight | 0.35 kg (0.77 lbs) |
| Dimensions | Diameter cut out 60 mm (2.4 in.); Ceiling or wall material thickness up to 25 mm (1 in.) |
| Housing Material | Polymer |

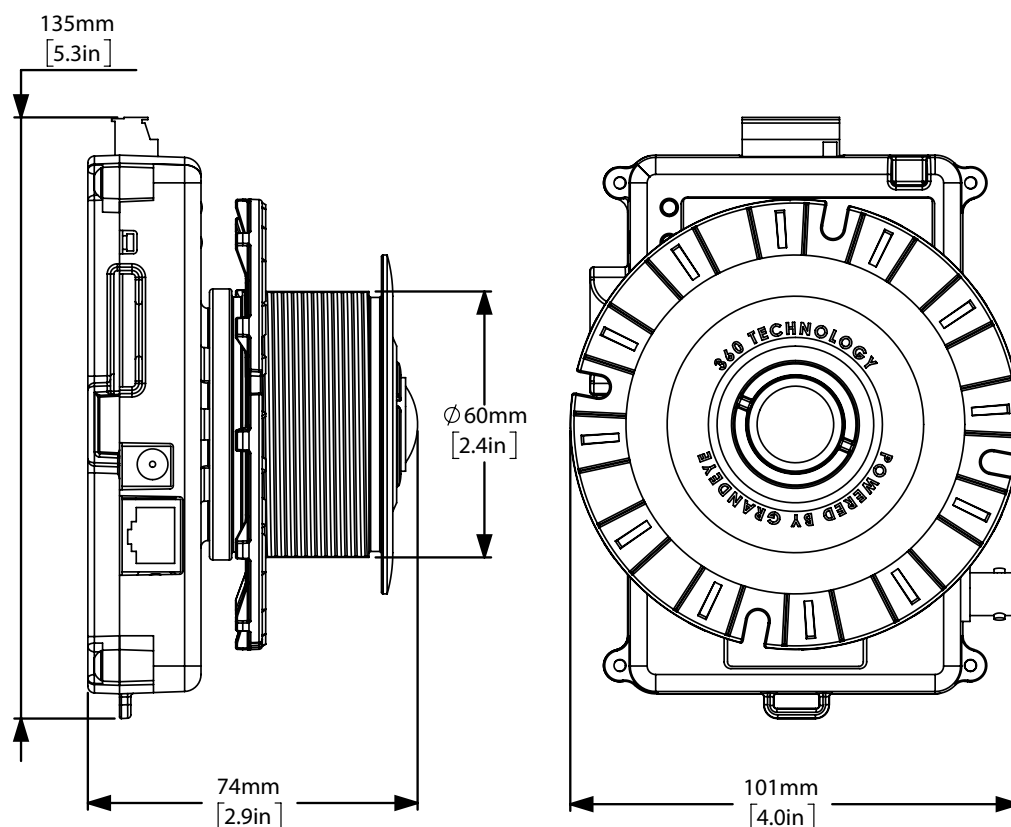
Environmental

| | |
|-----------------------------|------------------------------|
| Operating Temperature Range | 0 to +40° C (-32 to +104° F) |
| Operating Humidity | Up to 98% non-condensing |
| Ingress Protection | IP20 |

Certifications

| | |
|-----------|---|
| Approvals | IEEE802.3af, CE, AS/NZS CISPR 22:2009+A1:2010, CISPR 24:2010 (Class A), FCC, ICES-003, KCC, CU, RCM, SASO UL 60950-1(ed.2) & CAN/CSA C22.2No. 60950-1-07, RoHS, REACH |
|-----------|---|

Dimensions



▲ **WARNING:** Cancer and Reproductive Harm - www.P65Warnings.ca.gov
 ▲ **ADVERTENCIA:** Cáncer y Daño Reproductivo - www.P65Warnings.ca.gov
 ▲ **AVERTISSEMENT:** Cancer et Troubles de l'appareil reproducteur - www.P65Warnings.ca.gov

©Copyright 2014-2017 Oncam Global Group AG. All rights reserved.

Oncam Grandeye is the trade name of Oncam Global Group AG. Specifications and configurations subject to change without notice.