



FT85011A/FR85011A Fiber Transmitter and Receiver



**Single-Channel Digitally Encoded Video
with Bidirectional Data**

C2604M (7/06)

Contents

Important Safety Instructions	4
Regulatory Notices	6
Product Overview	7
Description	7
Models	9
Optional Accessories	9
Front Panel	10
Rear Panel	11
Installation	12
Package Contents	12
Data Communication Setup	12
Mounting	14
Mounting the Transmitter/Receiver into a Rack	14
Mounting the Transmitter/Receiver to a Wall	14
Connections	16
Troubleshooting	24
Specifications	27

List of Illustrations

1	FT85011A Transmitter and FR85011A Receiver Single-Channel Video and Data Applications	7
2	Front Panel of FT85011A Transmitter and FR85011A Receiver	10
3	Rear Panel of FT85011A Transmitter and FR85011A Receiver	11
4	Data Selection Switch	12
5	Mounting the FT85011A Transmitter/FR85011A Receiver Using the Wall Clip	15
6	FT85011A Transmitter/FR85011A Receiver Connections	16
7	RS-232 Data Communication Wiring	18
8	RS-422 Data Communication Wiring	19
9	RS-485 2-Wire (Half Duplex) Data Communication Wiring	20
10	RS-485 4-Wire (Full Duplex) Data Communication Wiring	21
11	Manchester Data Communication Wiring	22
12	Bi-Phase Data Communication Wiring	23

List of Tables

A	Data Communication Switch Settings	13
B	Data Connector Pin Assignments	17
C	Troubleshooting with Front-Panel Indicators	24

Important Safety Instructions

1. Read these instructions.
2. Keep these instructions.
3. Heed all warnings.
4. Follow all instructions.
5. Do not use this apparatus near water.
6. Clean only with dry cloth.
7. Do not block any ventilation openings. Install in accordance with the manufacturer's instructions.
8. Do not install near any heat sources such as radiators, heat registers, stoves, or other apparatus (including amplifiers) that produce heat.
9. Do not defeat the safety purpose of the polarized or grounding-type plug. A polarized plug has two blades with one wider than the other. A grounding plug has two blades and a third grounding prong. The wide blade or the third prong are provided for your safety. If the provided plug does not fit into your outlet consult an electrician for replacement of the obsolete outlet.
10. Protect the power cord from being walked on or pinched particularly at plugs, convenience receptacles, and the points where they exit from the apparatus.
11. Only use attachments/accessories specified by the manufacturer.
12. Use only with the cart, stand, tripod, bracket, or table specified by the manufacturer, or sold with the apparatus. When a cart is used, use caution when moving the cart/apparatus combination to avoid injury from tip-over.
13. Refer all servicing to qualified service personnel. Servicing is required when the apparatus has been damaged in any way, such as power-supply cord or plug is damaged, liquid has been spilled or objects have fallen into the apparatus, the apparatus has been exposed to rain or moisture, does not operate normally, or has been dropped.
14. Apparatus shall not be exposed to dripping or splashing and that no objects filled with liquids, such as vases shall be placed on the apparatus.
15. **WARNING:** To reduce the risk of fire or electric shock, do not expose this apparatus to rain or moisture.
16. Installation should be done only by qualified personnel and conform to all local codes.
17. Use only installation methods and materials capable of supporting four times the maximum specified load.
18. A CCC-approved power cord must be used to power this equipment when used in China.
19. **CAUTION:** These servicing instructions are for use by qualified service personnel only. To reduce the risk of electric shock do not perform any servicing other than that contained in the operating instructions unless you are qualified to do so.

The product and/or manual may bear the following marks:



This symbol indicates that dangerous voltage constituting a risk of electric shock is present within this unit.



This symbol indicates that there are important operating and maintenance instructions in the literature accompanying this unit.

CAUTION:

RISK OF ELECTRIC SHOCK.
DO NOT OPEN.

Regulatory Notices

This device complies with Part 15 of the FCC Rules. Operation is subject to the following two conditions: (1) this device may not cause harmful interference, and (2) this device must accept any interference received, including interference that may cause undesired operation.

RADIO AND TELEVISION INTERFERENCE

This equipment has been tested and found to comply with the limits of a Class A digital device, pursuant to Part 15 of the FCC Rules. These limits are designed to provide reasonable protection against harmful interference when the equipment is operated in a commercial environment. This equipment generates, uses, and can radiate radio frequency energy and, if not installed and used in accordance with the instruction manual, may cause harmful interference to radio communications. Operation of this equipment in a residential area is likely to cause harmful interference in which case the user will be required to correct the interference at his own expense.

Changes and Modifications not expressly approved by the manufacturer or registrant of this equipment can void your authority to operate this equipment under Federal Communications Commission's rules.

This Class A digital apparatus complies with Canadian ICES-003.

Cet appareil numérique de la classe A est conforme à la norme NMB-003 du Canada.

Product Overview

DESCRIPTION

The FT85011A/FR85011A fiber transmitter and receiver provide the ability to transmit one unidirectional composite video channel and one bidirectional data channel over one optical fiber. In addition, patent-pending technology provides the solution for allowing Coaxitron[®] pan/tilt/zoom (PTZ) control data to be transmitted the full distance of the fiber (up to 6 km for multimode fiber and up to 46 km for single-mode fiber). Figure 1 illustrates FT85011A transmitter and FR85011A receiver single-channel video and data applications.

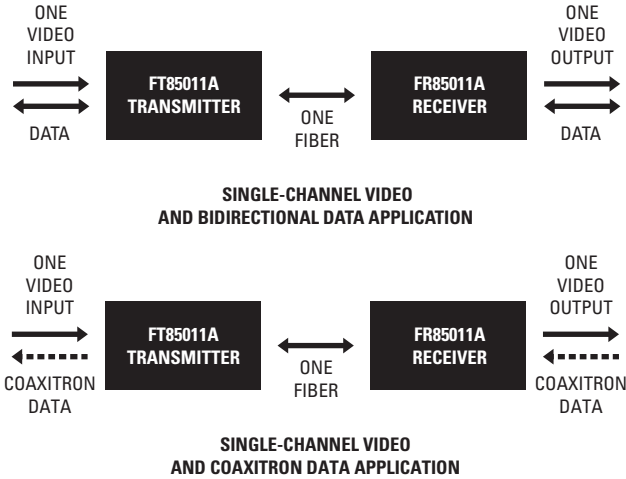


Figure 1. FT85011A Transmitter and FR85011A Receiver Single-Channel Video and Data Applications

Features of the FT85011A/FR85011A fiber optic transmission system include the following:

- 8-bit digitally encoded video for high-quality video transmission over a single fiber
- Bidirectional data channel that supports RS-232, RS-422, RS-485 (2-wire/4-wire), Manchester, Bi-Phase, and Coaxitron communication
- Patent-pending transmission technology allowing for Coaxitron control at full-distance capabilities
- Integrated wavelength division multiplexing (WDM), allowing video and data channels to be transmitted in the same fiber using different wavelengths
- Multimode fiber support for distances up to 6 km
- Single-mode fiber support for distances up to 46 km
- Exceeds all requirements for the RS-250C Medium-Haul Transmission specification
- Compatible with NTSC, PAL, and SECAM video standards

- Meets NEMA TS 2 and Caltrans traffic signal control equipment standards for ambient operating temperature, mechanical shock and vibration, humidity with condensation, high-line/low-line voltage conditions, and transient voltage protection

NOTE: Conformal coating is required for operation in environments with relative humidity above 95% (condensing).

- No performance adjustments required
- 12 VDC or 24 VAC power supply
- Stand-alone and rack-mountable modular design
- LED indicators for monitoring of signal status, laser status, data activity, and operating power

In addition, note the following:

- The FT85011A transmitter/FR85011A receiver is a Class 1 laser product that complies with FDA radiation performance standard 21CFR Subchapter J and with IEC 60825-1 Edition 1.2, 2001-08.
- In addition to compatibility with each other, the FT85011A transmitter and the FR85011A receiver are compatible with other fiber models:
 - The FT85011A transmitter is backward compatible with the FR85011 receiver.
 - The FR85011A receiver is backward compatible with the FS85011 and FT85011 transmitters.

For optical power budget and maximum transmission distance specifications of the various module-compatible pairs, refer to the *Specifications* section. For additional information about the FR85011, FS85011, and FT85011 modules, refer to the manual supplied with the modules.

MODELS

The FT85011A/FR85011A fiber transmitter and receiver consist of the following series of models:

Multimode Models:*

FT85011AMSTR	Single-channel fiber optic video transmitter/data transceiver; multimode, ST connector
FR85011AMSTR	Single-channel fiber optic video receiver/data transceiver; multimode, ST connector

Single-Mode Models:*

FT85011ASSTR	Single-channel fiber optic video transmitter/data transceiver; single-mode, ST connector
FR85011ASSTR	Single-channel fiber optic video receiver/data transceiver; single-mode, ST connector
FT85011ASFCR	Single-channel fiber optic video transmitter/data transceiver; single-mode, FC connector
FR85011ASFCR	Single-channel fiber optic video receiver/data transceiver; single-mode, FC connector

*For conformed coated models, replace the first letter *F* in the model number with the letter *C*. The conformed coated version of FT85011AMSTR, for example, is CT85011AMSTR.

OPTIONAL ACCESSORIES

The following optional accessories are available:

WM5001-3U	Wall mount base kit for single-width module
WM5001-3UEXP	Wall mount expansion kit for single-width module
RK5000-3U	19-inch rack mount chassis for 14 slots (no power), 3 RUs
RK5000PS-3U	19-inch rack mount chassis for 12 slots with power, 3 RUs
EPS5000-120	External rack power supply, 1 RU, dual 120 W power outputs
RK5001B-3U	Blank filler panel, single width
RK5002B-3U	Blank filler panel, double width
RK5001-1UEXP	Adapter kit that allows a 3 RU single-width fiber module to be used in RK5000PS-5U rack mount chassis

FRONT PANEL

The front panel of the FT85011A transmitter and the FR85011A receiver provides LED indicators that allow you to monitor data activity, signal status, laser status, and operating power (refer to Figure 2).

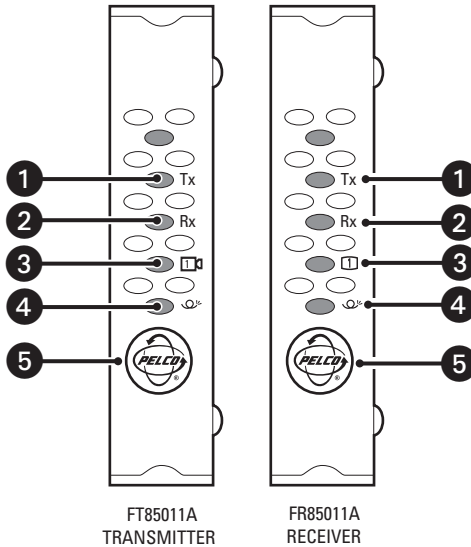


Figure 2. Front Panel of FT85011A Transmitter and FR85011A Receiver

- ❶ DATA TX LED
- ❷ DATA RX LED
- ❸ VIDEO PRESENT LED
- ❹ OPTIC FAULT LED (optical signal status/laser status indicator)
- ❺ POWER LED (Pelco badge)

For detailed information about the front-panel indicators, refer to the *Troubleshooting* section.

REAR PANEL

All connections to the FT85011A transmitter and the FR85011A receiver are made to the rear panel of the modules (refer to Figure 3).

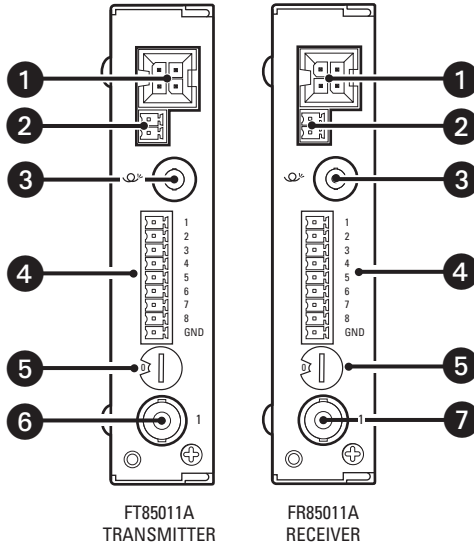


Figure 3. Rear Panel of FT85011A Transmitter and FR85011A Receiver

- ❶ RACK POWER/ALARM CONNECTOR, 4-pin connector for power/alarm connection of rack-mounted module
- ❷ STAND-ALONE POWER CONNECTOR, 2-pin connector for power connection of stand-alone module; removable mating connector with screw terminals (not shown)
- ❸ FIBER OPTIC CONNECTOR, ST or FC (dependent on FT85011A/FR85011A model)
- ❹ DATA CONNECTOR, 9-pin connector; removable mating connector with screw terminals (not shown)
- ❺ DATA SELECTION SWITCH, 10-position rotary switch
- ❻ VIDEO IN CONNECTOR, 75-ohm BNC analog video input (*transmitter only*)
- ❼ VIDEO OUT CONNECTOR, 75-ohm BNC analog video output (*receiver only*)

For additional information about rear-panel connections and about the Data Selection switch, refer to the *Installation* section.

Installation

PACKAGE CONTENTS

The following items are supplied:

- 1 **FT85011A transmitter or FR85011A receiver**
- 1 Regulated switching power supply with four plug adapters (North American, Australian, U.K., and European configurations); 100-240 VAC, 50-60 Hz input, 12 VDC output
- 1 Wall clip with two 4-40 x 0.250-inch Phillips pan head screws with lock washers (for attachment of single module to wall)
- 1 FT85011A/FR85011A Fiber Transmitter and Receiver Installation manual (this manual)

DATA COMMUNICATION SETUP

NOTE: As a matter of convenience, it is recommended that you set the desired data communication before mounting the FT85011A transmitter/FR85011A receiver into a rack or onto a wall.

The Data Selection switch, which is located on the rear panel of the FT85011A transmitter/FR85011A receiver, is a 10-position rotary switch that allows you to set the data communication required for the transfer of data (refer to Figure 4).

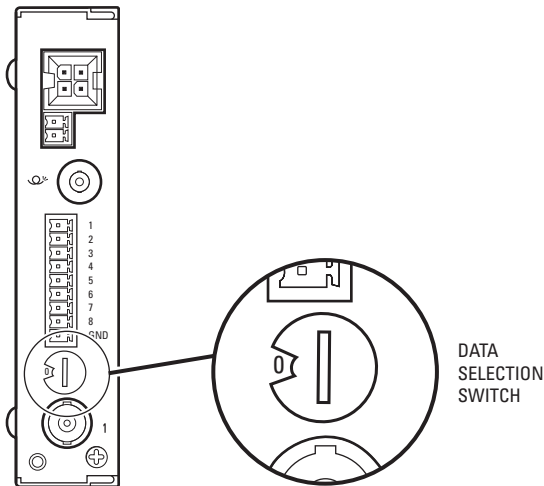


Figure 4. Data Selection Switch

With the FT85011A transmitter/FR85011A receiver powered off, set the Data Selection switch to the required data communication using a small screwdriver. Refer to Table A for data communication switch settings.

Table A. Data Communication Switch Settings

Data Communication	Switch Setting
RS-232	0 (default setting)
RS-422	1
RS-485 2-Wire	2
RS-485 4-Wire	3
Manchester/Bi-Phase	4
Coaxitron	5
NOTE: Switch positions 6-9 are not used.	

Note the following:

- The FT85011A transmitter/FR85011A receiver allows data translation between RS-232 and RS-422 signal levels. Consequently, the Data Selection switch can be set to 0 (RS-232) on the transmitter and to 1 (RS-422) on the receiver. Conversely, the Data Selection switch can be set to 1 (RS-422) on the transmitter and to 0 (RS-232) on the receiver.
- If you wish to change the data communication setting after the FT85011A transmitter/FR85011A receiver has been powered on, power off the transmitter/receiver, change the data communication setting, and then power on the transmitter/receiver again.

MOUNTING

The FT85011A transmitter/FR85011A receiver can be mounted into a rack or can be used as a stand-alone module. As a stand-alone module, the unit can be placed on a desktop or can be mounted to a wall.

NOTE: As a matter of convenience, it is recommended that you set the desired data communication *before* mounting the FT85011A transmitter/FR85011A receiver. To set the desired data communication, refer to the *Data Communication Setup* section.

MOUNTING THE TRANSMITTER/RECEIVER INTO A RACK

The FT85011A transmitter/FR85011A receiver can be installed into an RK5000 Series rack mount chassis, which can be mounted into an industry-standard 19-inch (48.26 cm) equipment rack. The RK5000 Series rack mount chassis includes the following models:

- **RK5000PS-3U and RK5000-3U:** Designed to accommodate fiber optic modules as follows:
 - The RK5000PS-3U rack mount chassis provides 12 module slots and a power supply.
 - The RK5000-3U rack mount chassis provides 14 module slots (a power supply is not included). Power to the modules can be supplied using the optional external power supply (EPS5000-120).

For additional information, refer to the RK5000PS-3U/RK5000-3U Fiber Rack Mount Chassis Installation manual.

- **RK5000PS-5U:** Designed to accommodate Endura™ modules but can also accommodate fiber optic modules with the use of the appropriate adapter kit. The RK5001-1UEXP adapter kit is required for installation of the FT85011A transmitter/FR85011A receiver into the RK5000PS-5U chassis.

For information about the RK5000PS-5U chassis, refer to the RK5000PS-5U Rack Mount Chassis Installation manual.

MOUNTING THE TRANSMITTER/RECEIVER TO A WALL

The FT85011A transmitter/FR85011A receiver can be mounted to a wall in the following ways:

- Using the supplied wall clip for attachment of a single module to a wall. For installation instructions, refer to the *Mounting the Transmitter/Receiver Using the Wall Clip* section.
- Using the optional WM5001 wall mount kits, which are designed for mounting of single-width fiber optic modules. The WM5001-3U base kit allows mounting of a single module to a wall. The WM5001-3UEXP expansion kit allows mounting of an additional module. It is recommended that a maximum of three expansion kits be used with the base kit, allowing a maximum of four single-width modules to be mounted to a wall.

NOTE: The WM5001 wall mount kits can be used with the WM5002 wall mount kits, which are designed for mounting of double-width fiber optic modules. If mounting a mix of single-width and double-width modules is desired, it is recommended that a maximum of two single-width modules and one double-width module be mounted in combination with one another.

For mounting instructions using the wall mount kits, refer to the WM5000 Series Wall Mount Kit Installation manual.

Mounting the Transmitter/Receiver Using the Wall Clip

NOTE: Before mounting the FT85011A transmitter/FR85011A receiver to a wall, ensure that there is adequate space at both ends for viewing the front-panel LEDs and for making the various rear-panel cable connections.

To attach the FT85011A transmitter/FR85011A receiver to a wall using the supplied wall clip, refer to Figure 5 and do the following:

1. Using the two vertical or horizontal wall-mounting holes, attach the wall clip to a wall using two screws (not provided).
2. Slide the module into the clip until the two holes on the bottom of the module align with the two holes on the lower flange of the clip.
3. Attach the module to the clip using the two Phillips pan head screws provided for the clip.

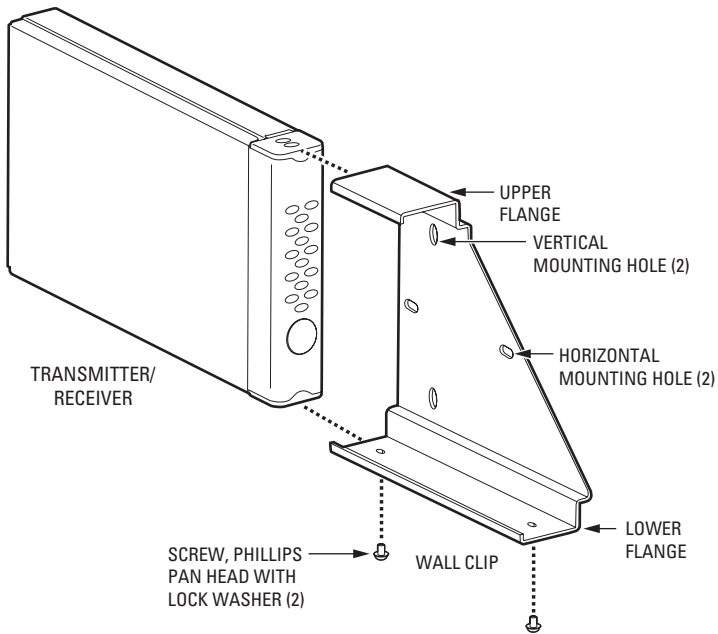


Figure 5. Mounting the FT85011A Transmitter/FR85011A Receiver Using the Wall Clip

CONNECTIONS

Connections to the FT85011A transmitter and the FR85011A receiver are made on the rear panel of the modules and consist of the following:

- Power connection

NOTES:

- A 12 VDC or 24 VAC power supply can be used to power the transmitter/receiver when used as a stand-alone module. A 12 VDC power supply is provided. If a 24 VAC power supply is used, the power supply must be a Listed Direct Plug-In Power Unit marked as Class 2 and rated as 24 VAC, 300 mA (minimum output).
- In extreme temperature conditions, it is recommended that an industrial-rated outdoor power supply such as the Pelco WCS1-4 power supply be used.

- Fiber connection
- Data connection
- Video input connection (transmitter only)
- Video output connection (receiver only)

Figure 6 provides an illustration of FT85011A transmitter/FR85011A receiver connections.

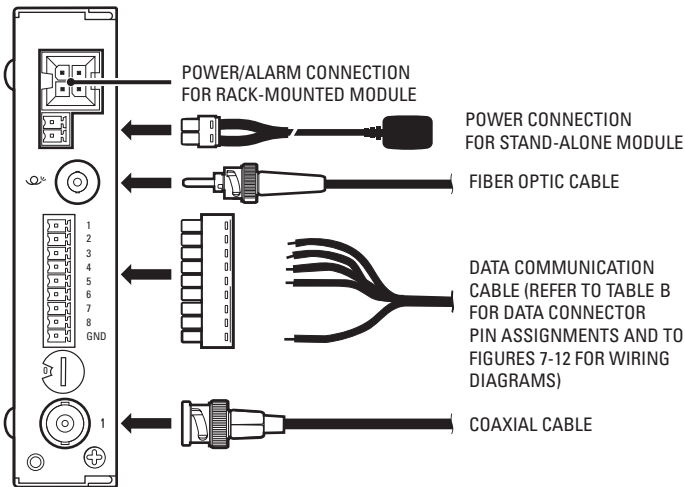


Figure 6. FT85011A Transmitter/FR85011A Receiver Connections

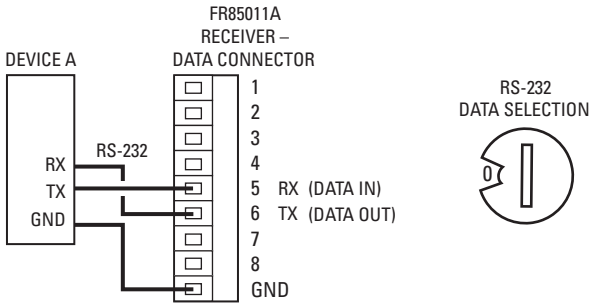
Table B. Data Connector Pin Assignments

Pin Number	RS-232	RS-422	RS-485 2-Wire	RS-485 4-Wire	Manchester	Bi-Phase
1	—	TX+ (Out+)	T+/R+ (Out+/In+)	TX+ (Out+)	—	—
2	—	TX- (Out-)	T-/R- (Out-/In-)	TX- (Out-)	—	—
3	—	RX+ (In+)	—	RX+ (In+)	RX+ (In+) (W)	RX+ (In+)
4	—	RX- (In-)	—	RX- (In-)	RX- (In-) (B)	RX- (In-)
5	RX (In)	—	—	—	—	—
6	TX (Out)	—	—	—	—	—
7	—	—	—	—	TX+ (Out+) (W)	TX+ (Out+)
8	—	—	—	—	TX- (Out-) (B)	TX- (Out-)
9	Ground	—*	—*	—*	Shield	Shield

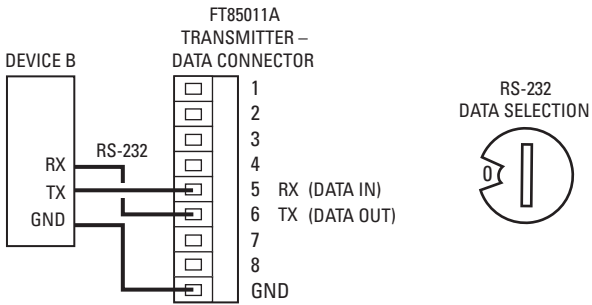
*Ground may be required based on conditions of installation. Refer to the current version of EIA/TIA-422 and EIA/TIA-485 standards for additional information.

NOTES:

- RX (In), RX+ (In+), RX- (In-), R+ (In+), and R- (In-) denote data input to the transmitter/receiver.
- TX (Out), TX+ (Out+), TX- (Out-), T+ (Out+), and T- (Out-) denote data output from the transmitter/receiver.
- W denotes white wire, and B denotes black wire.
- Data ports are not terminated. For RS-422, RS-485 2-wire, RS-485 4-wire, Manchester, and Bi-Phase data signals, termination may be required based on conditions of installation. If termination is required, terminate the data signal at the endpoint of the data bus using a 120-ohm resistor.

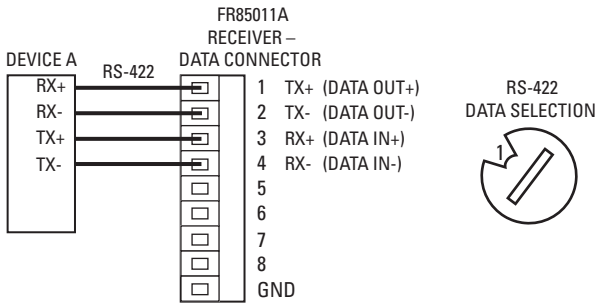


RS-232 DATA CONNECTIONS BETWEEN DEVICE A AND FR85011A RECEIVER

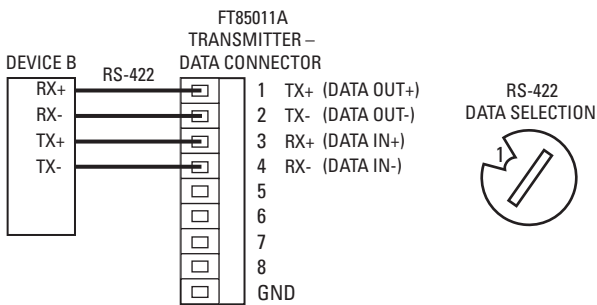


RS-232 DATA CONNECTIONS BETWEEN DEVICE B AND FT85011A TRANSMITTER

Figure 7. RS-232 Data Communication Wiring

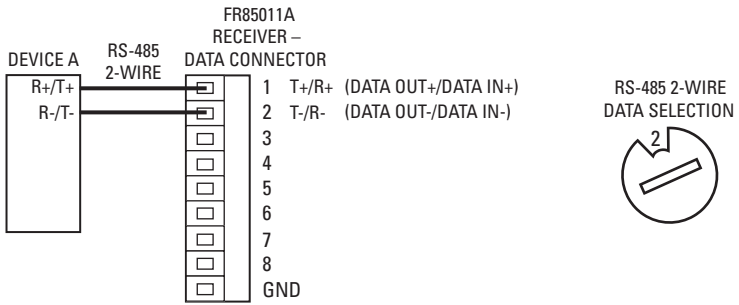


RS-422 DATA CONNECTIONS BETWEEN DEVICE A AND FR85011A RECEIVER

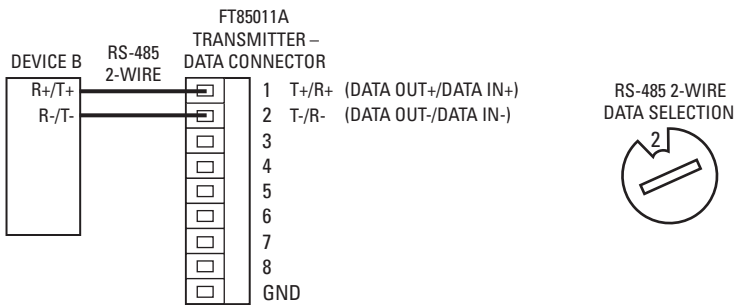


RS-422 DATA CONNECTIONS BETWEEN DEVICE B AND FR85011A TRANSMITTER

Figure 8. RS-422 Data Communication Wiring

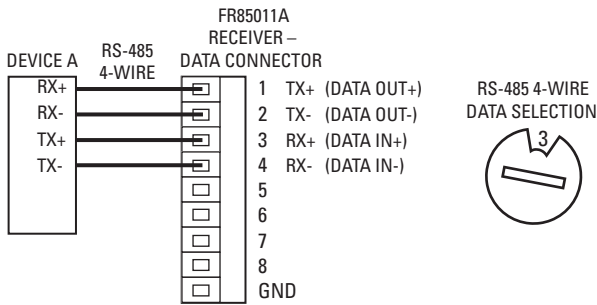


RS-485 2-WIRE DATA CONNECTIONS BETWEEN DEVICE A AND FR85011A RECEIVER

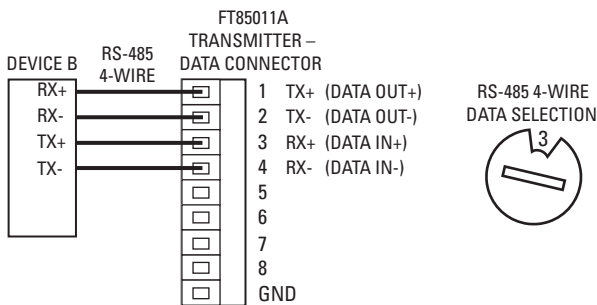


RS-485 2-WIRE DATA CONNECTIONS BETWEEN DEVICE B AND FT85011A TRANSMITTER

Figure 9. RS-485 2-Wire (Half Duplex) Data Communication Wiring

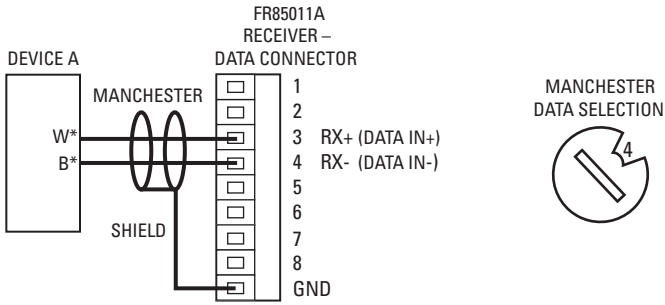


RS-485 4-WIRE DATA CONNECTIONS BETWEEN DEVICE A AND FR85011A RECEIVER

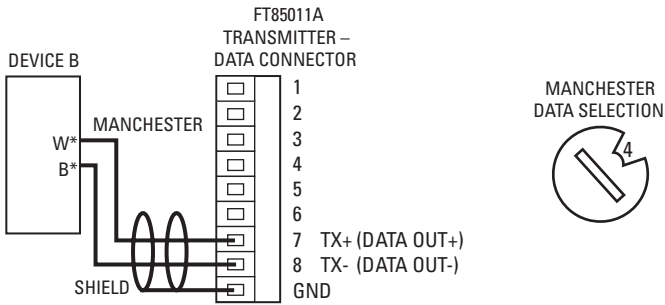


RS-485 4-WIRE DATA CONNECTIONS BETWEEN DEVICE B AND FT85011A TRANSMITTER

Figure 10. RS-485 4-Wire (Full Duplex) Data Communication Wiring



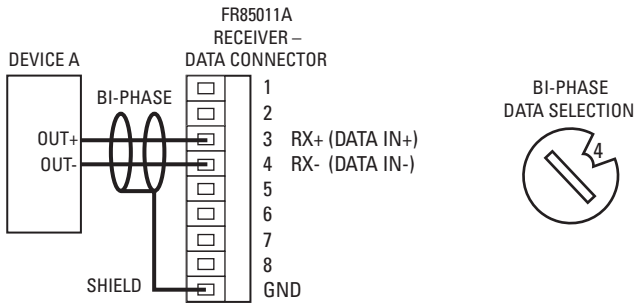
MANCHESTER DATA CONNECTIONS BETWEEN DEVICE A AND FR85011A RECEIVER



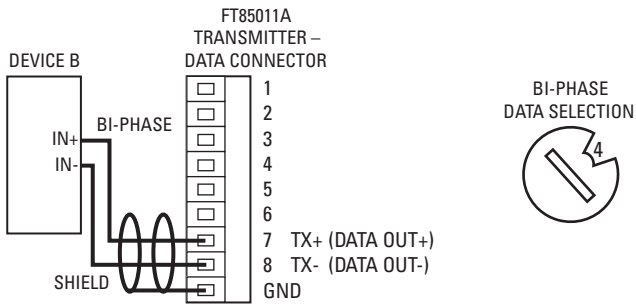
MANCHESTER DATA CONNECTIONS BETWEEN DEVICE B AND FT85011A TRANSMITTER

*W DENOTES WHITE WIRE, AND B DENOTES BLACK WIRE.

Figure 11. Manchester Data Communication Wiring



BI-PHASE DATA CONNECTIONS BETWEEN DEVICE A AND FR85011A RECEIVER



BI-PHASE DATA CONNECTIONS BETWEEN DEVICE B AND FT85011A TRANSMITTER

Figure 12. Bi-Phase Data Communication Wiring

Troubleshooting

LED indicators on the front panel of the FT85011A transmitter/FR85011A receiver (refer to Figure 2) allow you to monitor signal status, laser status, data activity, and operating power. Table C provides information about the front-panel indicators and associated troubleshooting guidelines.

Table C. Troubleshooting with Front-Panel Indicators

Indicator Color	Meaning	Possible Cause	Corrective Action
Power LED (Pelco badge)			
Blue Pelco logo lights.	Power is being applied to the module.	—	No action required.
Blue Pelco logo does not light.	Power is not being applied to the module.	Power connection is faulty.	Check power connection. If module is rack mounted, reseal module or power supply as necessary.
		Power supply has failed.	Replace power supply.
		Loss of power occurs due to tripped circuit breakers, blown fuses, or faulty electrical service.	Check circuit breakers, fuses, or electrical service as necessary.
Video Present LED			
Green	Incoming video signal is present on the channel.	—	No action required.
Red on transmitter	Incoming video signal is not present on the channel.	Video source is not powered on.	Check power connection to the video source.
		Video source is not connected to the transmitter.	Check BNC connections.
		Coaxial cable is defective.	Replace cable.
Red on receiver	Incoming video signal is not present on the channel.	Optical signal is not being received from the transmitter. Optic Fault LED is also red.	Refer to the <i>Optic Fault LED</i> section in this table.
		Video source is not powered on.	Check power connection to the video source.
		Video source is not connected to the transmitter.	Check BNC connections.
		Coaxial cable connected to the transmitter is defective.	Replace cable.

(Continued on next page)

Table C. Troubleshooting with Front-Panel Indicators (Continued)

Indicator Color	Meaning	Possible Cause	Corrective Action
Optic Fault LED			
Green	The optical signal is being received and laser is operating properly.	—	No action required.
Red	The optical signal is not being received.	Remote fiber module is not powered on.	Check power connections. Replace power supply if necessary.
		Fiber optic cable is not connected.	Check fiber optic connections.
		Fiber optic cable connectors are dirty or are damaged.	Clean, polish, or replace fiber optic cable connectors as necessary.
		Fiber optic cable is defective.	Replace cable.
		Optical dB losses in the fiber optic installation exceed the optical power budget specification stated in the <i>Specifications</i> section.	Check for problems with the fiber optic installation, for example, excessive dB losses in connectors, splices, patch panels, cables, and so on.
		Optical dB losses in the fiber optic installation meet the optical power budget specification stated in the <i>Specifications</i> section; however, a fiber module is defective.	Contact Product Support.
Flashing red	Laser has shut down.	Fiber module is operating in extreme environmental conditions; for example, operating temperature is below or above recommended range as stated in the <i>Specifications</i> section.	Ensure that fiber module operates according to operating conditions stated in the <i>Specifications</i> section, and then cycle the power. If problem persists, contact Product Support.
		Laser has reached end of life.	Cycle the power. If problem persists, contact Product Support.

(Continued on next page)

Table C. Troubleshooting with Front-Panel Indicators (Continued)

Indicator Color	Meaning	Possible Cause	Corrective Action
Data Tx LED			
Flashing amber	Data is being transmitted onto the fiber by the data port.	—	No action required.
Red	Data Selection switch is set to an invalid setting.	Data Selection switch is set to setting 6, 7, 8, or 9.	Set Data Selection switch to the correct setting for the desired data communication (refer to Table A).
Not lit	Data is not being transmitted onto the fiber by the data port.	Data is not present on the channel.	No action required.
		Data connection is faulty.	Check data connections.
		Data communication cable is defective.	Replace cable.
Data Rx LED			
Flashing amber	Data is being received from the fiber by the data port.	—	No action required.
Red	Data Selection switch is set to an invalid setting.	Data Selection switch is set to setting 6, 7, 8, or 9.	Set Data Selection switch to the correct setting for the desired data communication (refer to Table A).
Not lit	Data is not being received from the fiber by the data port.	Data is not present on the channel.	No action required.
		Data connection is faulty.	Check data connections.
		Data communication cable is defective.	Replace cable.

Specifications

VIDEO

Number of Channels	1
Modulation Type	Pulse code modulation, 8-bit resolution
Video Input (FR85011A)/ Video Output (FR85011A)	1.0 Vp-p, 75 ohms; NTSC, PAL, and SECAM
Bandwidth	6.5 MHz
Gain	Unity
Differential Gain	<2%
Differential Phase	<1°
Tilt	<1%
Signal-to-Noise Ratio	>60 dB (CCIR weighted)

DATA

Number of Channels	1
Data Communication	RS-232, RS-422, RS-485 (2-wire/4-wire), Manchester, Bi-Phase, Coaxitron
Maximum Baud Rate	500 kbps

GENERAL

Operating Temperature	-40° to 167°F (-40° to 75°C)
Input Power Requirements	12 VDC or 24 VAC, 300 mA
LED Indicators	Power Video Present Optic Fault Data Tx Data Rx
Dimensions	8.75" D x 1.08" W x 4.81" H 22.23 x 2.74 x 12.22 cm
Unit Weight	1.48 lb (0.67 kg)

MECHANICAL

Connectors	
Video	BNC
Rack Power/Alarm	4-pin connector
Stand-Alone Power	2-pin connector, screw terminal
Data	9-pin connector, screw terminal
Fiber Optic	ST for multimode fiber ST or FC for single-mode fiber

OPTICAL POWER BUDGET, TRANSMISSION DISTANCE, AND LASER CLASS 1 LIMIT - FT85011A TRANSMITTER AND COMPATIBLE RECEIVERS

Model No.		Wavelength	Optical Power Budget	Maximum Transmission Distance	Laser Class 1 Limit*
FT85011A Transmitter	Compatible Receivers				
Multimode (62.5/125 μm)					
FT85011AMSTR	FR85011AMSTR	1310 nm (video)	26 dB [†]	6 km (3.7 mi) [‡]	<15.6 mW
		850 nm (data)	26 dB [†]	6 km (3.7 mi) [‡]	<0.78 mW
	FR85011MSTR	1310 nm (video)	20 dB [†]	6 km (3.7 mi) [‡]	<15.6 mW
		850 nm (data)	20 dB [†]	6 km (3.7 mi) [‡]	<0.78 mW
Single-Mode (9/125 μm)					
FT85011ASSTR	FR85011ASSTR	1310 nm (video)	28 dB	46 km (28.6 mi) [§]	<15.6 mW
		1550 nm (data)	28 dB	46 km (28.6 mi) [§]	<10.0 mW
	FR85011SSSTR	1310 nm (video)	20 dB	30 km (18.6 mi) [§]	<15.6 mW
		1550 nm (data)	20 dB	30 km (18.6 mi) [§]	<10.0 mW
FT85011ASFCR	FR85011ASFCR	1310 nm (video)	28 dB	46 km (28.6 mi) [§]	<15.6 mW
		1550 nm (data)	28 dB	46 km (28.6 mi) [§]	<10.0 mW
	FR85011SFCR	1310 nm (video)	20 dB	30 km (18.6 mi) [§]	<15.6 mW
		1550 nm (data)	20 dB	30 km (18.6 mi) [§]	<10.0 mW
<p>* The FT85011A transmitter and compatible receivers are classified by the FDA as Class 1 laser products.</p> <p>[†] When using 50/125 μm multimode fiber, subtract 3 dB from the optical power budget.</p> <p>[‡] Maximum transmission distance is limited by fiber bandwidth.</p> <p>[§] Maximum transmission distance is based on attenuation of 0.5 dB/km plus a 5 dB buffer for connector and splice losses.</p> <p>NOTES:</p> <ul style="list-style-type: none"> • For conformal coated models, replace the first letter <i>F</i> in the model number with the letter <i>C</i>. The conformal coated version of FT85011AMSTR, for example, is CT85011AMSTR. • For models with higher optical power budgets, contact the factory. 					

**OPTICAL POWER BUDGET, TRANSMISSION DISTANCE, AND LASER CLASS 1 LIMIT -
FR85011A RECEIVER AND COMPATIBLE TRANSMITTERS**

Model No.		Wavelength	Optical Power Budget	Maximum Transmission Distance	Laser Class 1 Limit*
FR85011A Receiver	Compatible Transmitters				
Multimode (62.5/125 μm)					
FR85011AMSTR	FT85011AMSTR	1310 nm (video)	26 dB [†]	6 km (3.7 mi) [‡]	<15.6 mW
		850 nm (data)	26 dB [†]	6 km (3.7 mi) [‡]	<0.78 mW
	FT85011MSTR FS85011MST	1310 nm (video)	20 dB [†]	6 km (3.7 mi) [‡]	<15.6 mW
		850 nm (data)	20 dB [†]	6 km (3.7 mi) [‡]	<0.78 mW
Single-Mode (9/125 μm)					
FR85011ASSTR	FT85011ASSTR	1310 nm (video)	28 dB	46 km (28.6 mi) [§]	<15.6 mW
		1550 nm (data)	28 dB	46 km (28.6 mi) [§]	<10.0 mW
	FT85011SSTR FS85011SST	1310 nm (video)	20 dB	30 km (18.6 mi) [§]	<15.6 mW
		1550 nm (data)	20 dB	30 km (18.6 mi) [§]	<10.0 mW
FR85011ASFCR	FT85011ASFCR	1310 nm (video)	28 dB	46 km (28.6 mi) [§]	<15.6 mW
		1550 nm (data)	28 dB	46 km (28.6 mi) [§]	<10.0 mW
	FT85011SFCR FS85011SFC	1310 nm (video)	20 dB	30 km (18.6 mi) [§]	<15.6 mW
		1550 nm (data)	20 dB	30 km (18.6 mi) [§]	<10.0 mW
<p>* The FR85011A receiver and compatible transmitters are classified by the FDA as Class 1 laser products.</p> <p>[†] When using 50/125 μm multimode fiber, subtract 3 dB from the optical power budget.</p> <p>[‡] Maximum transmission distance is limited by fiber bandwidth.</p> <p>[§] Maximum transmission distance is based on attenuation of 0.5 dB/km plus a 5 dB buffer for connector and splice losses.</p> <p>NOTES:</p> <ul style="list-style-type: none"> For conformal coated models of rack-mountable transmitters and receivers, replace the first letter <i>F</i> in the model number with the letter <i>C</i>. The conformal coated version of FR85011AMSTR, for example, is CR85011AMSTR. For models with higher optical power budgets, contact the factory. 					



This equipment contains electrical or electronic components that must be recycled properly to comply with Directive 2002/96/EC of the European Union regarding the disposal of waste electrical and electronic equipment (WEEE). Contact your local dealer for procedures for recycling this equipment.

PRODUCT WARRANTY AND RETURN INFORMATION

WARRANTY

Pelco will repair or replace, without charge, any merchandise proved defective in material or workmanship **for a period of one year** after the date of shipment.

Exceptions to this warranty are as noted below:

- Five years on FR/FT/FS Series fiber optic products.
- Three years on Genex® Series products (multiplexers, server, and keyboard).
- Three years on Camclosure® and fixed camera models, except the CC3701H-2, CC3701H-2X, CC3751H-2, CC3651H-2X, MC3651H-2, and MC3651H-2X camera models, which have a five-year warranty.
- Three years on PMCL200/300/400 Series LCD monitors.
- Two years on standard motorized or fixed focal length lenses.
- Two years on Legacy®, CM6700/CM6800/CM9700 Series matrix, and DF5/DF8 Series fixed dome products.
- Two years on Spectra®, Esprit®, ExSite™, and PS20 scanners, including when used in continuous motion applications.
- Two years on Esprit® and WW5700 Series window wiper (excluding wiper blades).
- Two years (except lamp and color wheel) on Digital Light Processing (DLP®) displays. The lamp and color wheel will be covered for a period of 90 days. The air filter is not covered under warranty.
- Eighteen months on DX Series digital video recorders, NVR300 Series network video recorders, and Endura™ Series distributed network-based video products.
- One year (except video heads) on video cassette recorders (VCRs). Video heads will be covered for a period of six months.
- Six months on all pan and tilts, scanners or preset lenses used in continuous motion applications (that is, preset scan, tour and auto scan modes).

Pelco will warrant all replacement parts and repairs for 90 days from the date of Pelco shipment. All goods requiring warranty repair shall be sent freight prepaid to Pelco, Clovis, California. Repairs made necessary by reason of misuse, alteration, normal wear, or accident are not covered under this warranty.

Pelco assumes no risk and shall be subject to no liability for damages or loss resulting from the specific use or application made of the Products. Pelco's liability for any claim, whether based on breach of contract, negligence, infringement of any rights of any party or product liability, relating to the Products shall not exceed the price paid by the Dealer to Pelco for such Products. In no event will Pelco be liable for any special, incidental or consequential damages (including loss of use, loss of profit and claims of third parties) however caused, whether by the negligence of Pelco or otherwise.

The above warranty provides the Dealer with specific legal rights. The Dealer may also have additional rights, which are subject to variation from state to state.

If a warranty repair is required, the Dealer must contact Pelco at (800) 289-9100 or (559) 292-1981 to obtain a Repair Authorization number (RA), and provide the following information:

1. Model and serial number
2. Date of shipment, P.O. number, Sales Order number, or Pelco invoice number
3. Details of the defect or problem

If there is a dispute regarding the warranty of a product which does not fall under the warranty conditions stated above, please include a written explanation with the product when returned.

Method of return shipment shall be the same or equal to the method by which the item was received by Pelco.

RETURNS

In order to expedite parts returned to the factory for repair or credit, please call the factory at (800) 289-9100 or (559) 292-1981 to obtain an authorization number (CA number if returned for credit, and RA number if returned for repair).

All merchandise returned for credit may be subject to a 20% restocking and refurbishing charge.

Goods returned for repair or credit should be clearly identified with the assigned CA or RA number and freight should be prepaid. Ship to the appropriate address below.

If you are located within the continental U.S., Alaska, Hawaii or Puerto Rico, send goods to:

Service Department
Pelco
3500 Pelco Way
Clovis, CA 93612-5699

If you are located outside the continental U.S., Alaska, Hawaii or Puerto Rico and are instructed to return goods to the USA, you may do one of the following:

If the goods are to be sent by a COURIER SERVICE, send the goods to:

Pelco
3500 Pelco Way
Clovis, CA 93612-5699 USA

If the goods are to be sent by a FREIGHT FORWARDER, send the goods to:

Pelco c/o Expeditors
473 Eccles Avenue
South San Francisco, CA 94080 USA
Phone: 650-737-1700
Fax: 650-737-0933

REVISION HISTORY

Manual #	Date	Comments
C2604M	7/06	Original version.

Pelco, the Pelco logo, Camclosure, Esprit, Genex, Legacy, and Spectra are registered trademarks of Pelco.
Endura and ExSite are trademarks of Pelco.
DLP is a registered trademark of Texas Instruments, Inc.

©Copyright 2006, Pelco.
All rights reserved.



Worldwide Headquarters
3500 Pelco Way
Clovis, California 93612 USA

USA & Canada
Tel: 800/289-9100
Fax: 800/289-9150
International
Tel: 1-559/292-1981
Fax: 1-559/348-1120

www.pelco.com

ISO9001